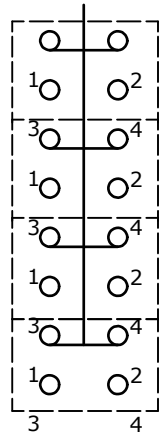
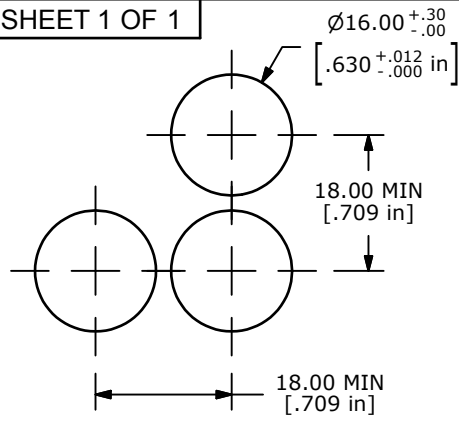
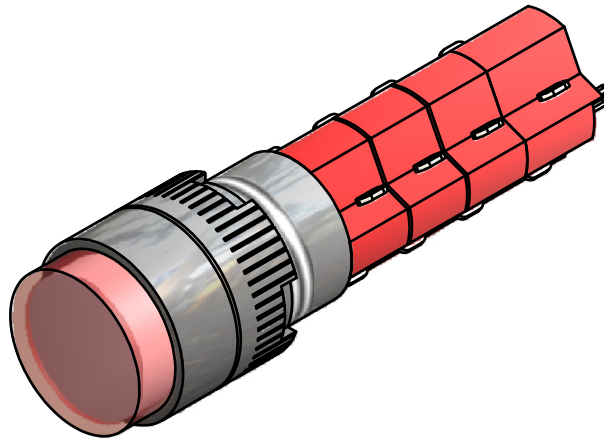
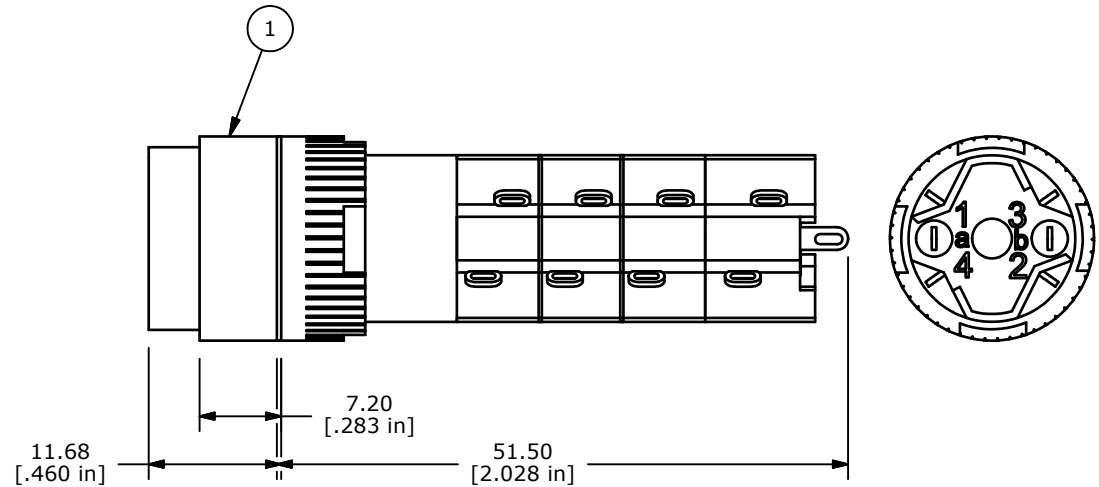
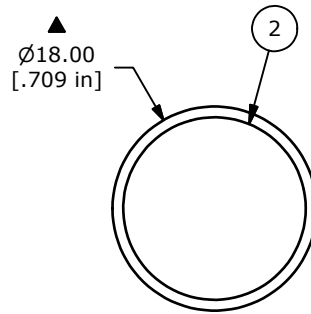


ITEM	QTY	PART NUMBER	DESCRIPTION
1	1	F040041	D160AR14
2	1	F050104	50-001-04 RED CONCAVE TRANSPARENT LENS



CONTACT CONFIGURATION



NOTE:

1. ALL DIMENSIONS IN MM [INCH].
2. GENERAL TOLERANCE: X.X=±0.4
X.XX=±0.25
3. TERMINAL NUMBERS FOR REF ONLY.
- ▲ 4. CONTACT RATING: 5A @ 250VAC,
8A @ 125VAC,
6A @ 24VDC
5. ELECTRICAL LIFE: 50,000 OPERATIONS
6. INSULATION RESISTANCE: 1,000 MEGA-OHM MIN.
- ▲ 7. CONTACT MATERIAL: SILVER PLATED COPPER ALLOY
8. ACTUATION FORCE: 300g / POLE
9. OPERATING TEMP.: -25°C to +70°C
10. ▲ DENOTES CRITICAL PARAMETER.
11. 2002/95/EC (ROHS) COMPLIANT

E-SWITCH®

A	20473	RELEASED FOR PRODUCTION	02/10/12	BMA
REV	PCR NO	DESCRIPTION	DATE	BY

TITLE D160AR14BRED				
SCALE	DATE	DR	DWG	REV
1.5:1	2/10/2012	AR	XF0032P	A

THE INFORMATION CONTAINED IN THIS DOCUMENT IS PROPRIETARY TO E-SWITCH AND IS NOT TO BE COPIED OR TRANSFERRED